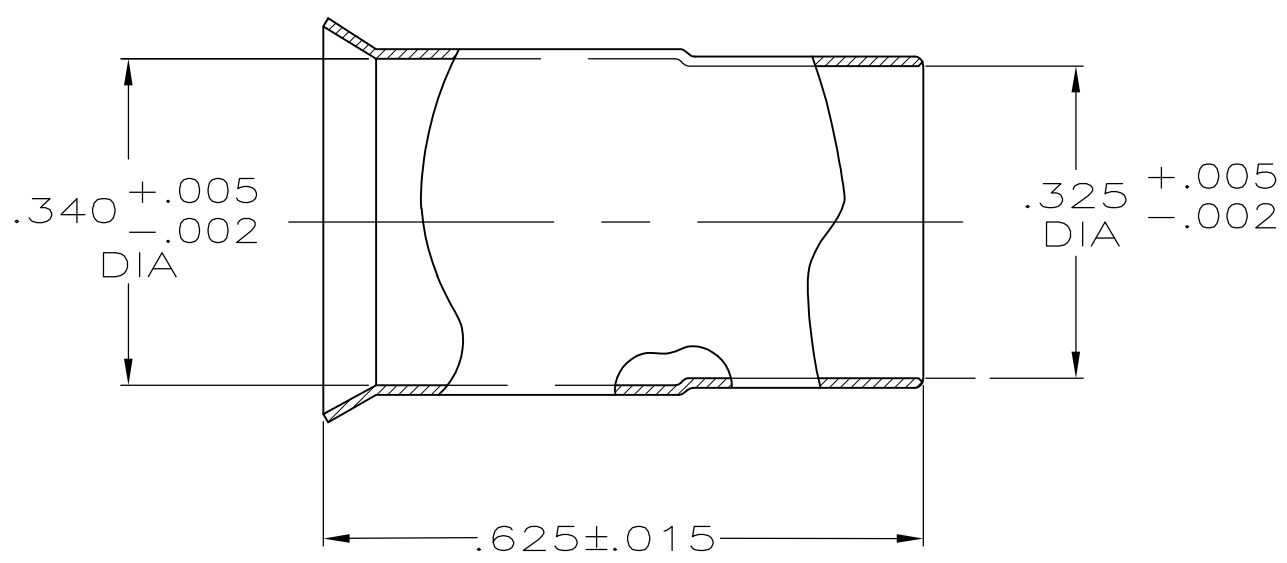


THIS DRAWING IS UNPUBLISHED. RELEASED FOR PUBLICATION
 © COPYRIGHT - BY TYCO ELECTRONICS CORPORATION. ALL RIGHTS RESERVED.

| LOC | DIST | REVISIONS | | | | | |
|-----|------|-----------|-----|---------------------------|---------|-----|------|
| AJ | 16 | P | LTR | DESCRIPTION | DATE | DWN | APVD |
| | | | G | REVISED PER ECO-10-008433 | 22MAY10 | HMR | KW |



- △₁ COPPER ALLOY.
- △₂ TIN-LEAD PLATE PER ASTM-B-545, 2.54μm [.000100] MIN THICKNESS, WITH SUPPLEMENTAL ANTI FRETTING LUBRICANT.
- △₃ TIN PLATE PER ASTM-B-545, 2.54μm [.000100] MIN THICKNESS, WITH SUPPLEMENTAL ANTI FRETTING LUBRICANT.

| | | |
|-----------------------------|----------------|-------------|
| SUPERCEDED BY 9-331256-0 | △ ₃ | 9-331256-1 |
| | △ ₃ | 9-331256-0 |
| | - | 1-331256-4 |
| | △ ₁ | 1-331256-0 |
| | △ ₂ | 331256 |
| | FINISH | PART NUMBER |

| | | | | | | | | | | | | | | | | |
|--|---|-----------------------------|---|--------------------|-----|-------|-----|-------|-----|-------|-----|--------|-----|-----------------------|------------|--------------------|
| THIS DRAWING IS A CONTROLLED DOCUMENT. | | DWN M. SNEED 24SEP82 | Tyco Electronics Corporation Harrisburg, Pa 17105-3608 | | | | | | | | | | | | | |
| DIMENSIONS: INCHES | | CHK D. SMITH 12OCT82 | NAME FERRULE, STEPDOWN | | | | | | | | | | | | | |
| TOLERANCES UNLESS OTHERWISE SPECIFIED: | | APVD M. SNEED 12OCT82 | PRODUCT SPEC - | | | | | | | | | | | | | |
| <table border="0"> <tr><td>0 PLC</td><td>± -</td></tr> <tr><td>1 PLC</td><td>± -</td></tr> <tr><td>2 PLC</td><td>± -</td></tr> <tr><td>3 PLC</td><td>± -</td></tr> <tr><td>4 PLC</td><td>± -</td></tr> <tr><td>ANGLES</td><td>± -</td></tr> </table> | | 0 PLC | ± - | 1 PLC | ± - | 2 PLC | ± - | 3 PLC | ± - | 4 PLC | ± - | ANGLES | ± - | APPLICATION SPEC - | SIZE A3 | CAGE CODE 00779 |
| 0 PLC | ± - | | | | | | | | | | | | | | | |
| 1 PLC | ± - | | | | | | | | | | | | | | | |
| 2 PLC | ± - | | | | | | | | | | | | | | | |
| 3 PLC | ± - | | | | | | | | | | | | | | | |
| 4 PLC | ± - | | | | | | | | | | | | | | | |
| ANGLES | ± - | | | | | | | | | | | | | | | |
| MATERIAL △ ₁ | FINISH △ ₂ △ ₃ | WEIGHT - | DRAWING NO G-331256 | RESTRICTED TO - | | | | | | | | | | | | |
| CUSTOMER DRAWING | | | SCALE 4:1 | SHEET 1 OF 1 | | | | | | | | | | | | |
| | | | REV G | | | | | | | | | | | | | |